

ERGOSTYLE[®] ES 2000

ES2000 SERIES ELEVATION TABLE

Operator Manual



TABLE OF CONTENTS

ES2000 Series Elevation Table

| | |
|---|-------|
| Foreword | 3 |
| Precautionary Instructions | 4-5 |
| Unpacking and Installation | 6 |
| Operating Instructions | 7-11 |
| Technical Specifications | 12 |
| Replacement Parts | 13-14 |
| Maintenance | 15 |
| Warranty | 15 |

This manual has been written for the owners and operators of the ErgoStyle 2000 Series Adjusting Tables. It contains general instructions on operation, precautionary instructions, maintenance and parts information. In order to obtain maximum life and efficiency from your ErgoStyle 2000 Series Adjusting Table and to aid in the proper operation of the unit, read and understand this manual thoroughly and become completely familiar with the controls.

The specifications put forth in this manual were in effect at the time of the publication. However, owing to Pivotal Health Solutions' policy of continuous improvement, changes to these specifications may be made at any time without obligation on the part of Pivotal Health Solutions.

The ErgoStyle ES2000 Table is used in the treatment of spinal and joint dysfunction through spinal and joint manipulation. The ErgoStyle ES2000 has a contemporary look, a fully enclosed lifting system, optional modular drop pieces, optional breakaway/elevating chest and pelvic sections, and modular headpieces.

This equipment is to be used only under the prescription and supervision of a licensed practitioner.

PRECAUTIONARY INSTRUCTIONS

ES2000 Series Elevation Table

The precautionary instructions found in this section and throughout this manual are indicated by specific symbols. Understand these symbols and their definitions before operating this equipment. The definitions of these symbols are as follows:



CAUTION:

Text with a "CAUTION" indicator will explain possible Safety infractions that could have the potential to cause minor to moderate injury or damage to equipment.



WARNING:

Text with a "WARNING" indicator will explain possible Safety infractions that will potentially cause serious injury and equipment damage.



DANGER:

Text with a "DANGER" indicator will explain possible safety infractions that are imminently hazardous situations that would result in death or serious injury.



EXPLOSION HAZARD:

Text with an "Explosion Hazard" indicator will explain possible safety infractions if this equipment is used in the presence of flammable anesthetics.

NOTE: Throughout this manual "NOTE" may be found. These Notes are helpful information to aid in the particular area or function being described.



DANGER:

- Never change the angle of a section when the patient's weight is on that section.
- Do not reposition or allow the patient to get on or off table while any of the drops are in the cocked or engaged positions.



- Explosion hazard if used in the presence of flammable anesthetics. The warning symbol for this hazard is prominently displayed on the serial number decal.



DANGER:

- Federal law restricts this device to sale by, or on the order of, a physician or licensed practitioner.
- Make certain that the unit is electrically grounded by connecting only to a grounded electrical service receptacle conforming to the applicable national and local electrical codes.
- Never place your hands and feet near the working mechanism of the table when making any and all adjustments to height or table sections.
- Do not sit or allow patients to sit on the Head Section or Extending Ankle Rest of the table.
- Do not lift table by Head Section or Arm Rest.
- Do not smoke on or around table.
- Do not allow any unsupervised children access to the treatment table.

PRECAUTIONARY INSTRUCTIONS

ES2000 Series Elevation Table

DO NOT operate these tables in an environment where other devices are being used that intentionally radiate electromagnetic energy in an unshielded manner. Portable and mobile RF communications equipment can affect Medical Electrical Equipment.

- This table generates, uses, and can radiate radio frequency energy and, if not installed and used in accordance with the instructions, may cause harmful interference to other devices in the vicinity. However, there is no guarantee that interference will not occur in a particular installation. Harmful interference to other devices can be determined by turning this table on and off. Try to correct the interference using one or more of the following: reorient or relocate the receiving device, increase the separation between the equipment, connect the equipment to an outlet on a different circuit from that which the other device(s) are connected, and consult the Pivotal Health Solutions Service Department for help.
- Inspect all cables and connectors before each use.
- Always assist the patient on and off the treatment table to avoid falls.
- Always monitor patients closely during treatment.
- The table's maximum safe working load is 400 pounds. Never exceed the maximum load limit.
- Do not permit any foreign materials or liquids to enter the unit. Take care to prevent any foreign materials including, but not limited to, inflammables, water, and metallic objects from entering the unit. These may cause unit damage, malfunction, electrical shock fire or personal injury.
- Do not use a damaged Mains Power Cord. Using a damaged Mains Power Cord may cause unit damage, malfunction, electrical shock, fire, or personal injury. If the Mains Power Cord becomes damaged, discontinue use immediately and contact the dealer for replacement of the Mains Power Cord.
- Do not enclose/block/cover outlet. This is an indication of power status



CAUTION:

- Read, understand and practice the precautionary and operating instructions found in this manual. Know the limitations and hazards associated with your new treatment table. Observe any and all precautionary and operational decals placed on the unit.
- Keep table out of high moisture areas.
- This unit should be operated, transported and stored in temperatures between 40° F (4.4° C) and 100° F (37.8° C), with relative humidity ranging from 30% - 80%..

UNPACKING AND INSTALLATION

ES2000 Series Elevation Table

After removing top and side panels of shipping crate, you may notice metal bands and plastic straps. These are used to secure various sections of the table and must be removed before table can be lifted out. The unit must be lifted directly upward in order to clear all shipping restraints. Make sure proper electrical grounding occurs before use. Outlet must be visible, it serves as a disconnect.

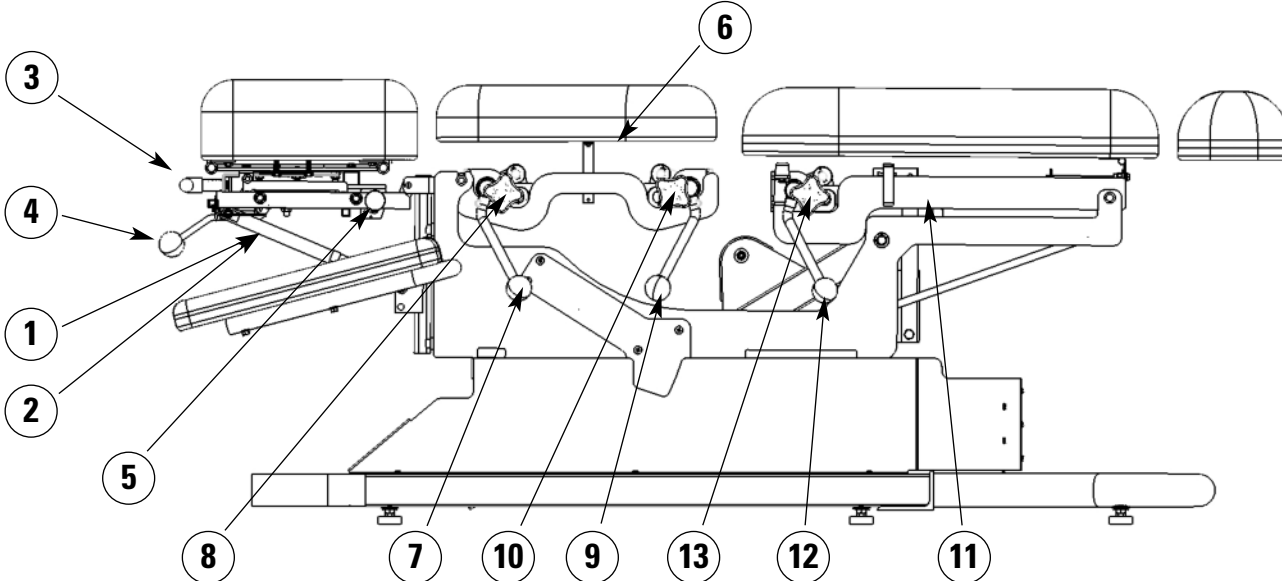
A MINIMUM OF TWO PEOPLE WILL BE REQUIRED TO LIFT AND/OR MOVE THE TABLE. TABLE SHOULD BE LIFTED BY THE BASE FRAME.

OPERATING INSTRUCTIONS

ES2000 Series Elevation Table

Model 9100 Elevation Adjusting Table with Model 95004 Headpiece

1. Headpiece Elevation Release
2. Headpiece Tilt Release
3. Head Cushion Adjustment
4. Forward Drop Cocking Lever
5. Forward /Toggle Drop Tension Control
6. Break-a-way/Elevating Chest Release
7. Thoracic Drop Cocking Lever
8. Thoracic Drop Tension Control
9. Lumbar Drop Cocking Lever
10. Lumbar Drop Tension Control
11. Pelvic Elevation Release
12. Pelvic Drop Cocking Lever
13. Pelvic Drop Tension Control



OPERATING INSTRUCTIONS

ES2000 Series Elevation Table

Model 9100 Elevation Adjusting Table with Model 95004 Headpiece

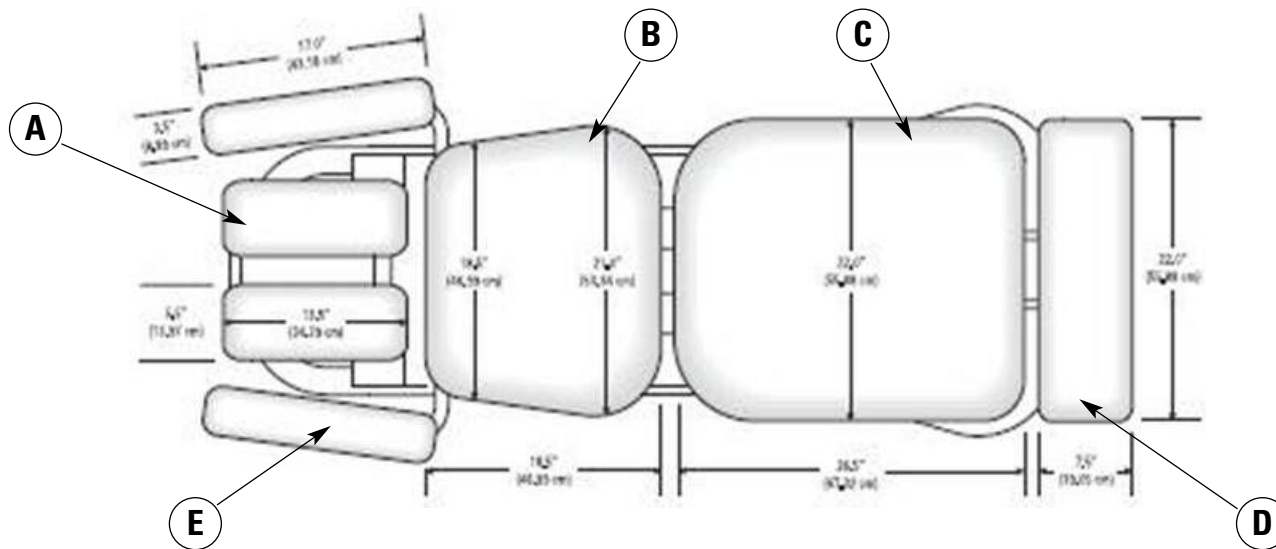
(A) Headpiece Cushions

(B) Thoracic/Lumbar Cushion

(C) Pelvic Cushion

(D) Ankle Rest Cushion

(E) Arm Rest Cushion



The ErgoStyle 2000 Series Adjusting Tables allow today's chiropractor to use almost any technique in a comfortable and efficient manner. Benefits of elevation, multifunctional headpieces and options such as break-a-way chest and drops make even the most complex adjustments easier to administer.

Please take the time to fully read this manual and familiarize yourself with all the controls on your table. Each section of the table is explained fully, including optional headpieces, chest sections and drops. Headpiece with Forward and Toggle Drop

To elevate the headpiece, pull back on the Elevation Release Control (1) to allow the headpiece to rise up. To lower the headpiece, pull back on the Elevation Release and gently push down on the headpiece. This is a self-locking control.

To Tilt the headpiece, pull back on the Tilt Release Control (2). Release of the control self locks the headpiece at the position you choose.

To adjust the spacing of the headrest cushions, pull back on the Head Cushion Adjustment Handle (3), and move it to the right or left. When at the desired position, release the control to allow the spring pin to lock into a hole.

To engage or "Cock" the Forward Motion Drop, push down on the Forward Motion Drop Cocking Lever (4). To adjust the drop holding tension, adjust the Forward/Toggle Drop Tension Control (5). The forward motion drop will fall in a forward direction when released.

The Toggle drop can be cocked by pulling up on the back portion of the head cushion closest to the thoracic/lumbar cushion. To adjust the holding ability of the drop section, turn the Forward/Toggle Drop Tension Control (5) to increase or decrease holding ability. The toggle drop will fall in a straight down motion.

Break-a-way/Elevating Chest (Optional)

The chest section of the table can be adjusted for spring action or positioned to hold at various angles. To lock or unlock the chest section, turn the Break-a-way/ Elevating Chest Release (6). To position the chest section of the table to a particular angle, first unlock the Break-a-Way/Elevating Chest Release (6), move the chest section to the desired angle, then lock the Break-a-way/Elevating Chest Release (6) to hold the new position.

Thoracic Drop (Optional)

To cock the Thoracic Drop, pull up on the Thoracic Drop Cocking Lever (7). To adjust the holding ability of the drop section, turn the Thoracic Drop Tension Control (8) to increase or decrease holding ability.

Lumbar Drop (Optional)

To cock the Lumbar Drop, pull up on the Lumbar Drop Cocking Lever (9). To adjust the holding ability of the drop section, turn the Lumbar Drop Tension Control (10) to increase or decrease holding ability.

Pelvic Elevation (Optional)

Pulling up on the Pelvic Elevation Release (11) allows the gas charged spring to elevate the pelvic cushion upwards. To move the pelvic cushion down without a patient on the table, you will need to sit on the pelvic cushion while pulling up on the Pelvic Elevation Release Control.

Pelvic Drop (Optional)

To cock the Pelvic Drop, pull up on the Pelvic Drop Cocking Lever (12). To adjust the holding ability of the drop section, turn the Pelvic Drop Tension Control (13) to increase or decrease holding ability.

Ankle Rest

To extend the ankle rest, pull back on the ankle rest cushion (D) and pull the ankle rest away from the table.

Table Height Adjustment



Press Foot Control for Table Elevation to raise or lower the table. Pressing "UP" will elevate the table, and pressing "DN" will bring the table to a lower height.

TECHNICAL SPECIFICATIONS

ES2000 Series Elevation Table

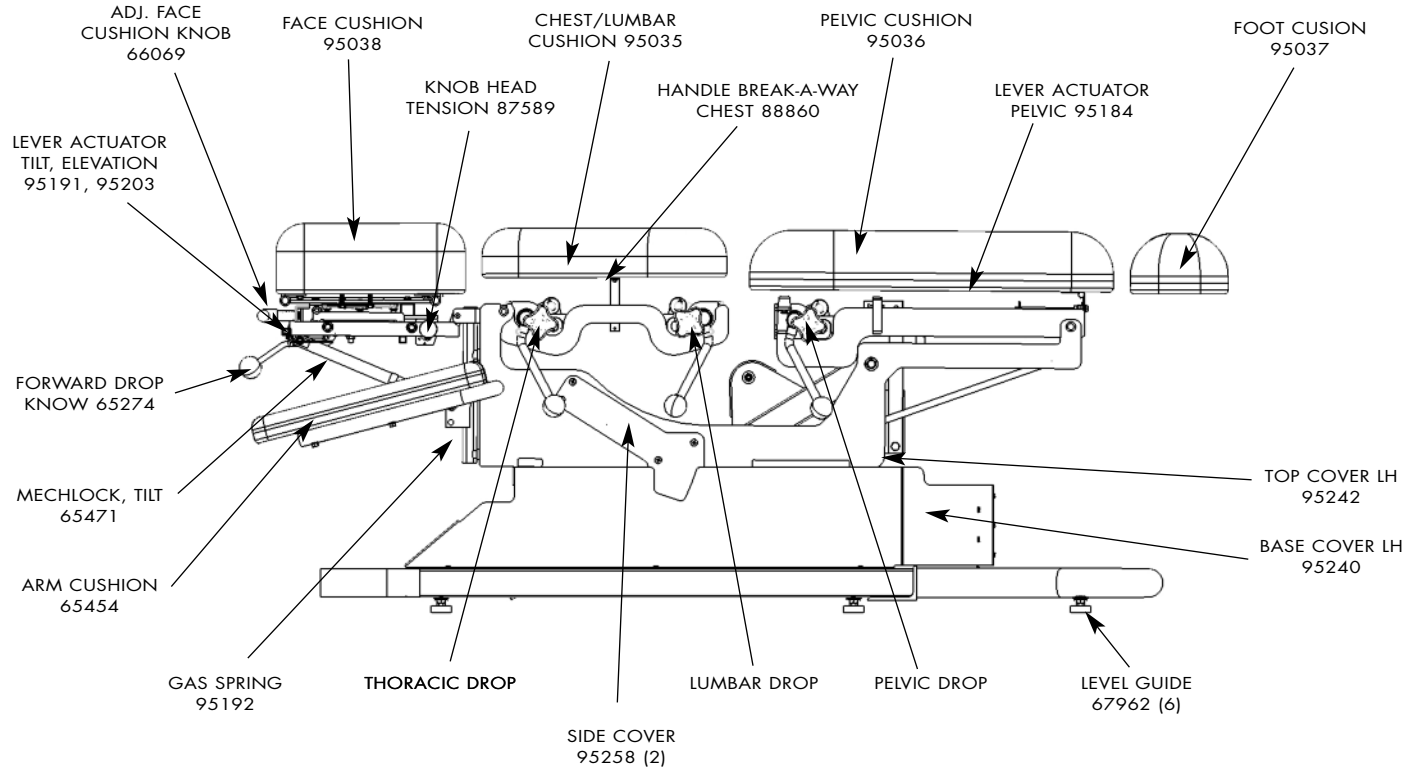


Recycle and dispose of device properly in accordance with local, state and federal laws. Over the years, tons of electronics equipment with hazardous materials have been thrown away with standard garbage. Over time, these materials leech out of the electronic causing damage to the environment. It is important to try and properly dispose of retired devices in order to prevent damage to our environment.

| | 115V Version | 230V Version |
|-----------------------------------|---|---|
| Rated Voltage: | 115V | 230V |
| Rated Frequency: | 60 Hz | 50 Hz |
| Current: | 3 A | 3 A |
| Lifting Capacity: | 400 lbs. | 400 lbs. |
| Electrical Classification: | Class1 | Class1 |
| Electrical Type: | Type "B"  | Type "B"  |
| Duty Cycle: | Intermittent-Max. 1 minute on, 9 minutes off | |

REPLACEMENT PARTS

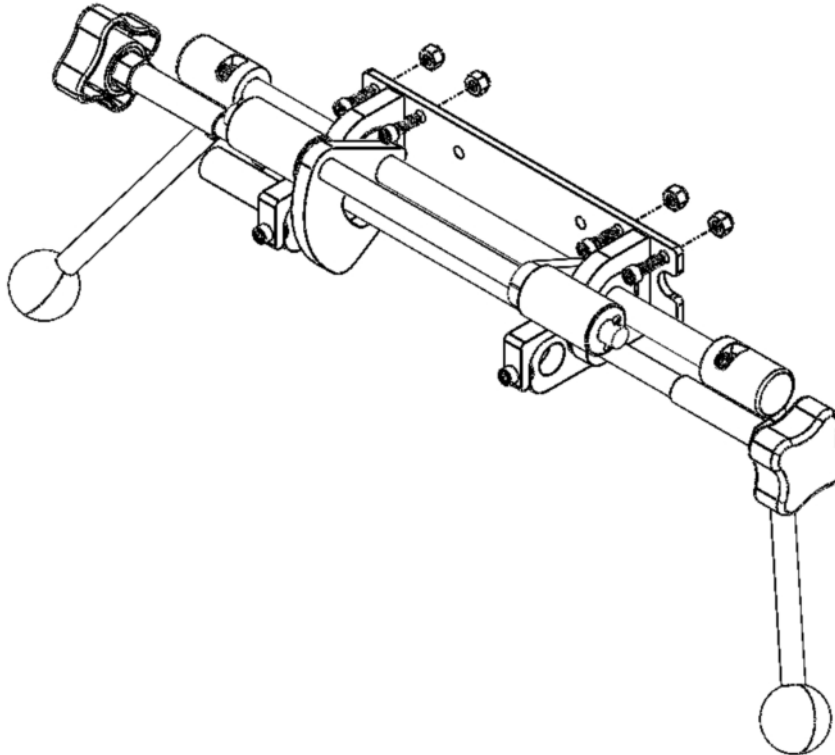
ES2000 Series Elevation Table



REPLACEMENT PARTS

ES2000 Series Elevation Table

Thoracic/Lumbar/Pelvic Drop 95214



Not Shown:

| | |
|---------------------|-------|
| Top Cover RH | 95238 |
| Base Cover RH | 95236 |
| Flange Bearing | 60363 |
| Carriage Roller | 95176 |
| Thoracic Gas Spring | 89179 |
| Pelvic Gas Spring | 53941 |

CLEANING

After each use, clean the unit using a soft cloth dampened with water and a mild antibacterial detergent.

SERVICE

Should the Ergostyle ES2000 require service, contact the selling dealer or Pivotal Health Solutions' Service Department. All returned units to the factory for service must include the following:

WARRANTY REPAIR/OUT OF WARRANTY REPAIR

1. Written statement containing the following information:

- RA Number - Obtain from Factory
- Unit Model Number
- Unit Serial Number
- Contact person with Phone and Fax Numbers
- Billing Address (for Out of Warranty Repair)
- Shipping Address (Where to Ship Unit after Repair)
- Detailed Description of Problem or Symptoms

2. Copy of original invoice issued at purchase of the unit.

3. Ship unit to Factory in the original container with all accessories and information as required in item one (1) above to:

Pivotal Health Solutions

724 Oakwood Road

Watertown, SD 57201

USA Phone: 1- 800-743-7738

INT : +1 (605) 753-0110

FAX: (605) 882-8398

Service to these units should be performed only by Service Technicians certified by Pivotal Health Solutions

Pivotal Health Solutions. ("Company"), warrants that the ErgoStyle ES 2000 Table ("Product") is free of defects in material and workmanship. This warranty shall remain in effect for one year (12 months) from the date of original consumer purchase. If this Product fails to function during the one year warranty period due to a defect in material or workmanship, Company or the selling dealer will repair or replace this Product without charge within a period of thirty days from the date on which the Product is returned to the Company or the dealer. In addition, the company offers an additional 12 months (1 year) of parts replacement, with the purchaser being responsible for repair (labor) costs.

All repairs to the Product must be performed by a service center certified by the Company. Any modifications or repairs performed by unauthorized centers or groups will void this warranty.

This Warranty Does Not Cover:

- Replacement parts or labor furnished by anyone other than the Company, the selling dealer, or a service technician certified by the Company.
- Defects or damage caused by labor furnished by someone other than Company, the selling dealer, or a certified Company service technician.
- Any malfunction or failure in the Product caused by product misuse, including, but not limited to, the failure to provide reasonable and required maintenance or any use that is inconsistent with the Product User's Manual.

COMPANY SHALL NOT BE LIABLE IN ANY EVENT FOR INCIDENTAL OR CONSEQUENTIAL DAMAGES.

Some locations do not allow the exclusion or limitation of incidental or consequential damages, so the above limitation or exclusion may not apply to you.

To obtain service from Company or the selling dealer under this warranty:

1. A written claim must be made within the warranty period to the Company or the selling dealer. Written claims made to the Company should be sent to:

Pivotal Health Solutions

724 Oakwood Road

Watertown , SD 57201 USA

Phone: (800) 743-7738

Service Phone: +1-605-753-0110

FAX: (605) 882-8398

2. The Product must be returned to the Company or the selling dealer by the owner. This warranty gives you specific, legal rights and you may also have other rights which vary from location to location. The Company does not authorize any person or representative to create for it any other obligation or liability in connection with the sale of the Product. Any representation or agreement not contained in the warranty shall be void and of no effect.

THE FOREGOING WARRANTY IS IN LIEU OF ALL OTHER WARRANTIES, EXPRESSED OR IMPLIED, INCLUDING ANY WARRANTY OR MERCHANTABILITY OR FITNESS FOR A PARTICULAR PURPOSE



724 Oakwood Road
P.O. Box 1060
Watertown, SD 57201 USA
Telephone: 800-743-7738
Outside USA: +1-605-753-0110
Fax: 605-882-8398

www.PivotalHealthSolutions.com

rev B 04-12



Emergo Europe
Molenstraat 15 | 2513 BH The Hague
The Netherlands
Tel: (31) (0) 70 345-8570 Fax: (31) (0) 70 346-7299